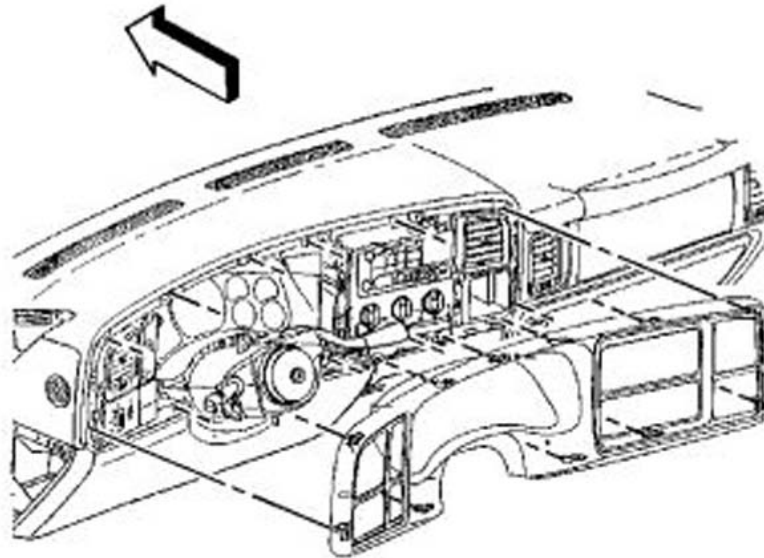


# GM Instrument Cluster Removal Guide

## Silverado, Sierra, Suburban, Yukon, Tahoe, Avalanche, Escalade

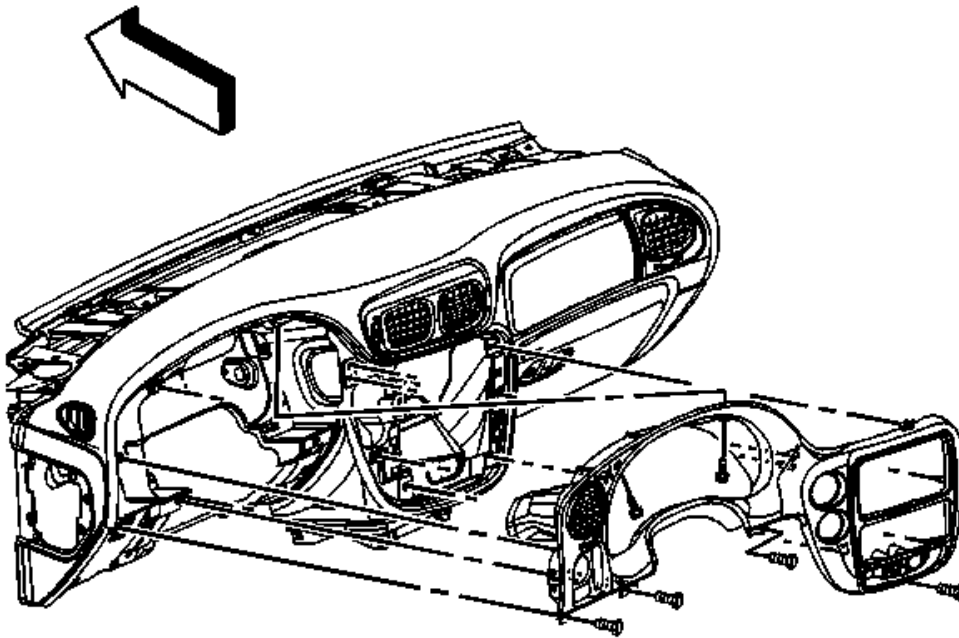
1. Apply the parking brake to prevent the vehicle from moving
2. If equipped with and automatic transmission, move the shift lever all the way down to last gear.
3. Tilt the steering wheel to the full down position
4. Pull gently rearward on the corners of the bezel from the instrument panel (IP) assembly
5. Remove the bezel



6. After removing the trim plate bezel simply remove the four ¼" screws holding the instrument cluster in place. Pull the cluster out and unplug the single wiring harness connection in the back.

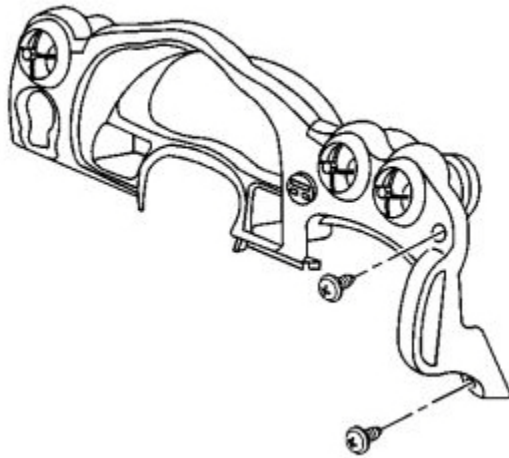
## Trailblazer, Envoy, Rainier, Ascender

1. Tilt the steering wheel to the full down position
2. Remove the left closeout/insulator panel
3. Remove the knee bolster trim panel
4. Remove the screws retaining the bezel to the instrument panel.
5. Remove the bezel from the instrument panel
6. If equipped, remove the transfer case shift control switch.
7. Remove the rear wiper washer switch
8. If equipped, remove the cigar lighter or 12-vold power supply outlets.
9. Remove the bezel from the vehicle
10. After removing the trim plate bezel simply remove the four ¼" screws holding the instrument cluster in place. Pull the cluster out and unplug the single wiring harness connection in the back.

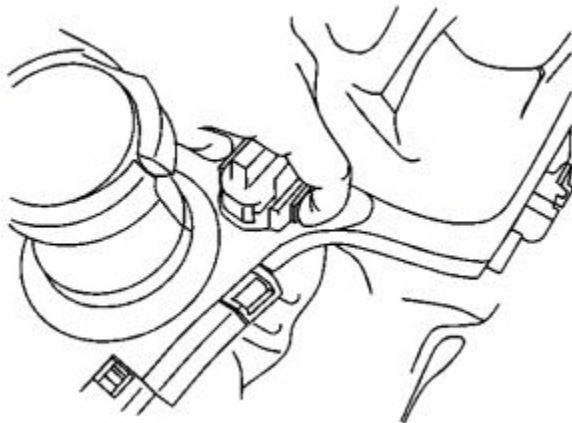


## Aztek, Rendezvous

1. Remove the knee bolster panel
2. Remove the front floor console trim plate
3. Remove the instrument panel (I/P) accessory trim plate.



4. Remove the 3 screws from the I/P cluster trim plate at the assist handle
5. Pull out the I/P cluster trim plate in order to release from the retainers.

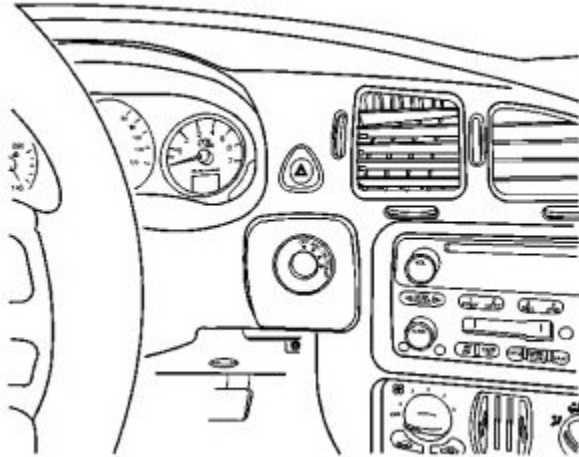


6. From the back side disconnect the driver information center (DIC) from the I/P cluster trim plate panel.
7. Loosen the steering column bracket and lower the steering column.
8. Remove the I/P cluster trim plate.

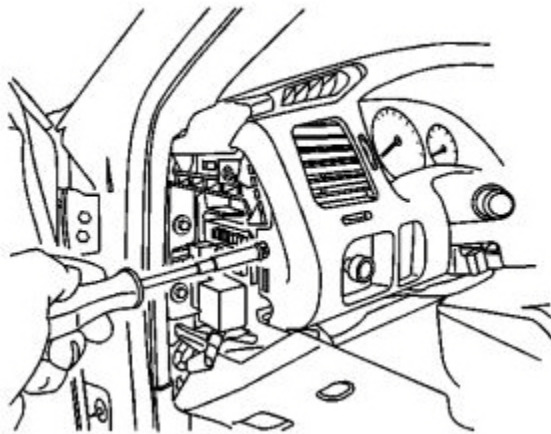
9. After removing the trim plate bezel simply remove the four ¼" screws holding the instrument cluster in place. Pull the cluster out and unplug the single wiring harness connection in the back.

## Monte Carlo

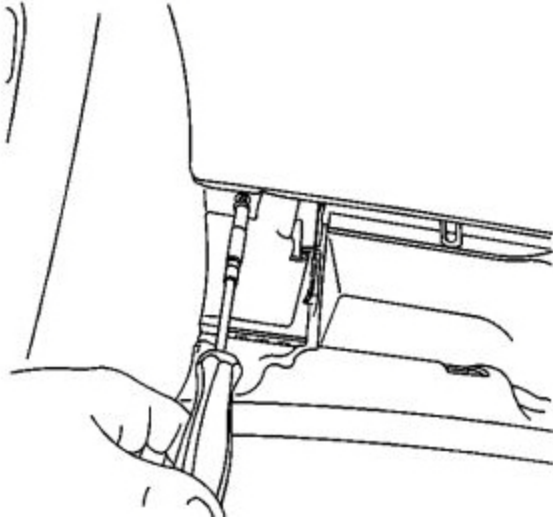
1. Adjust the steering wheel for access.
2. Using a small flat-bladed tool, remove the bezel from the ignition switch cylinder.



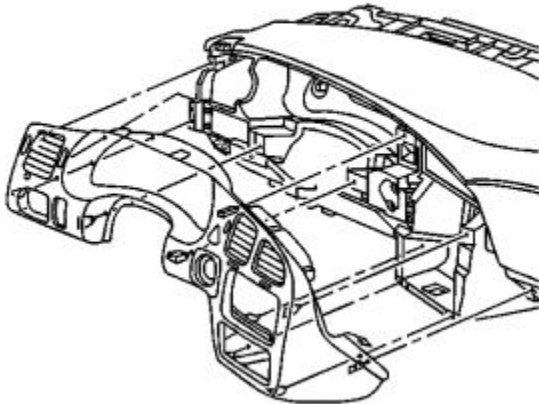
3. Remove the access cover from the left instrument panel (IP) fuse block.
4. Remove the steering column filler.
5. Open the IP compartment door.



6. Remove the screw from the left side of the IP cluster trim plate.



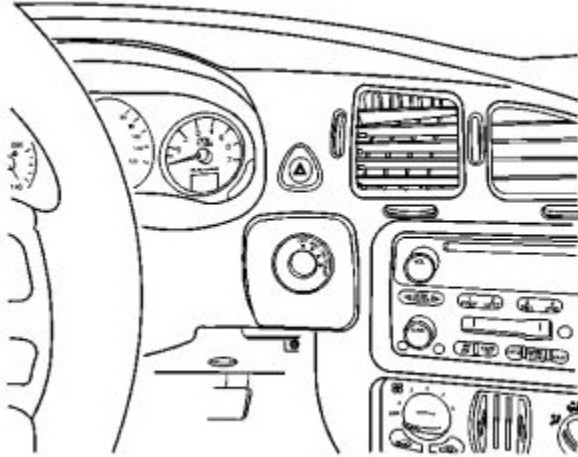
7. Remove the screw from the right side of the IP cluster trim plate
8. If the vehicle is equipped with a front floor console, position the transaxle shift control lever to the rear most position.



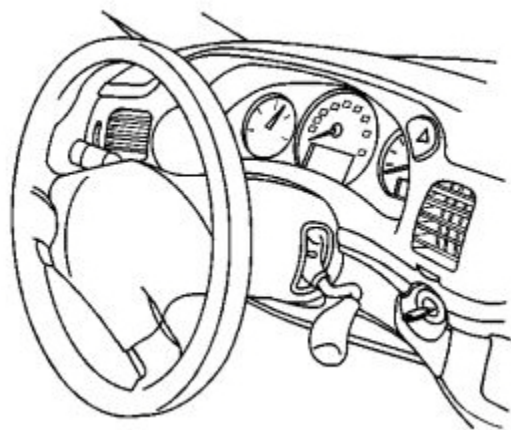
10. After removing the trim plate bezel simply remove the four  $\frac{1}{4}$ " screws holding the instrument cluster in place. Pull the cluster out and unplug the single wiring harness connection in the back.

# Impala

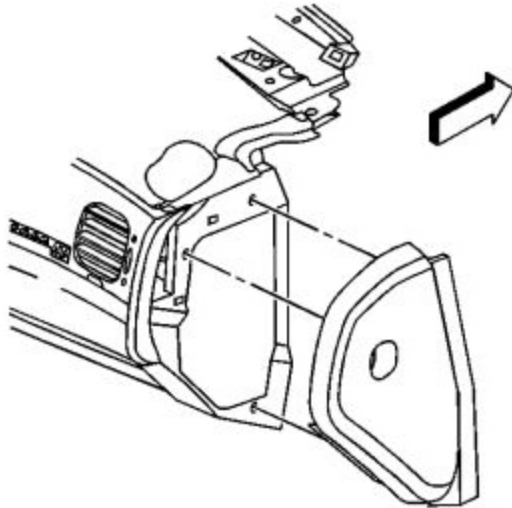
1. Apply the parking brake



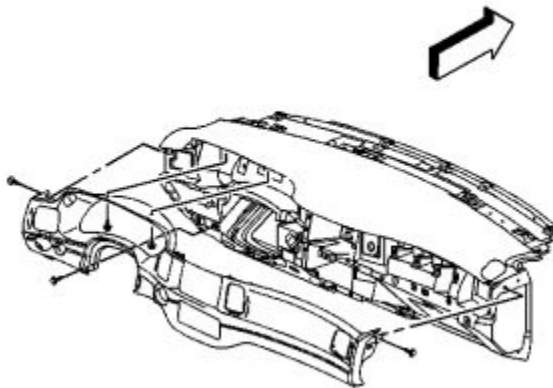
2. Using a small flat-bladed tool, remove the bezel from the ignition switch cylinder.



3. If the vehicle is equipped with a column shift, position the transaxle shift control indicator to 1. Keep the key in the ignition switch cylinder.
4. Adjust the steering wheel for access.
5. Remove the steering wheel filler panel



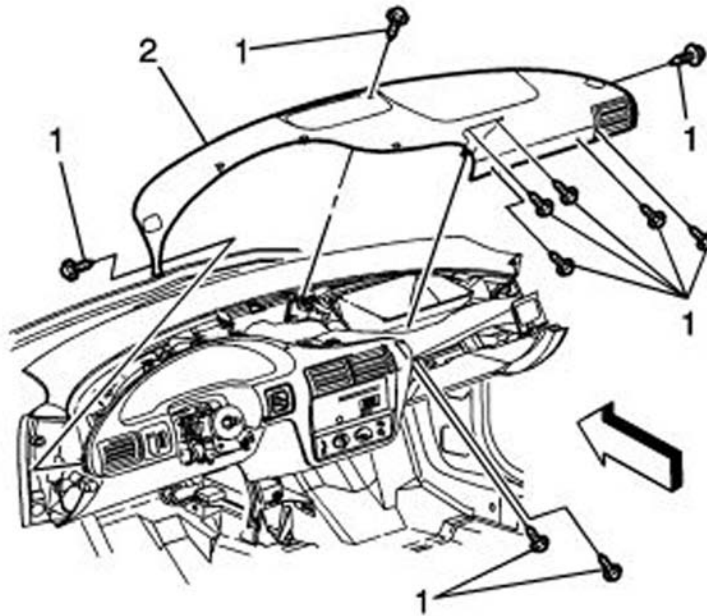
6. Remove the instrument panel (I/P) fuse block access hole covers.



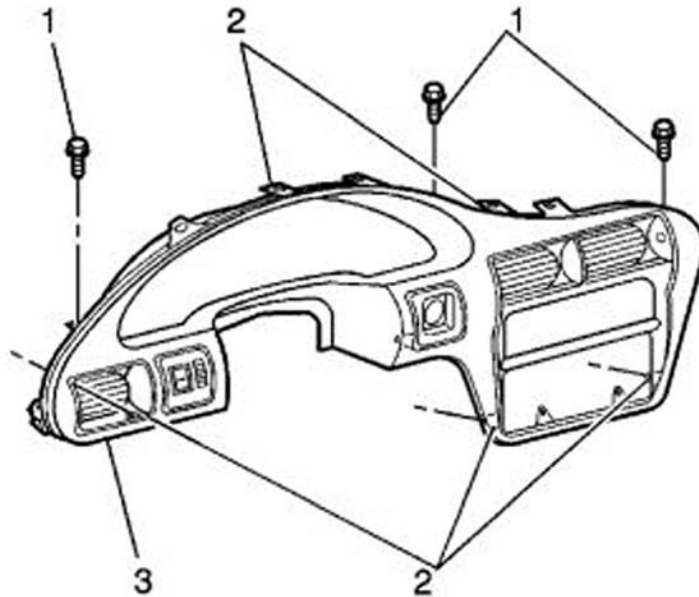
7. Remove the screws from the I/P cluster trim plate.
8. Starting at the right end of the I/P cluster, grasp the trim plate and pull rearward.
9. Continue working around the I/P cluster trim plate until all of the retainers are released from the I/P trim pad.
10. Disconnect the electrical connectors from the hazard switch and from the traction control switch, if equipped.
11. Remove the I/P cluster trim plate.
12. After removing the trim plate bezel simply remove the four ¼" screws holding the instrument cluster in place. Pull the cluster out and unplug the single wiring harness connection in the back.



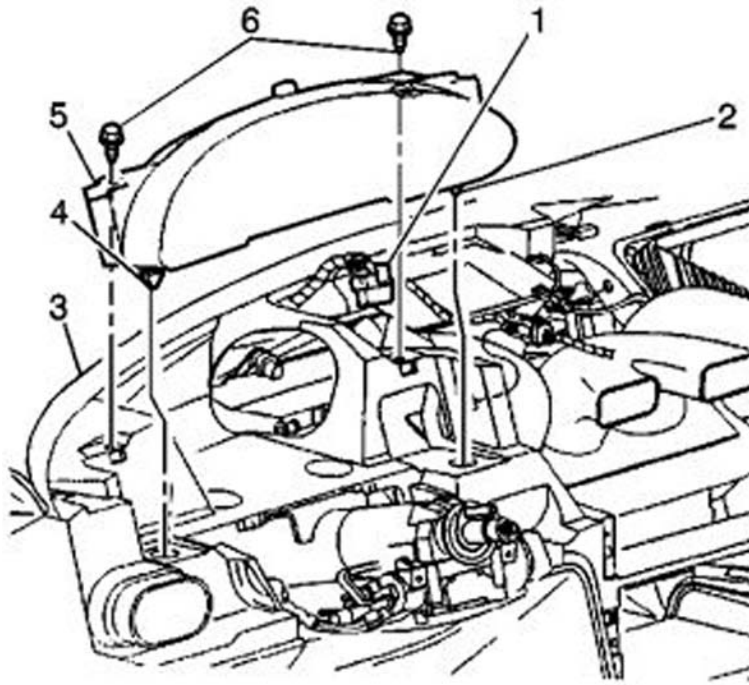
## Cavalier



1. Remove the defroster grille screw
2. With flat bladed tool disengage the defroster grille from the instrument panel (I/P)trim pad.
3. With flat bladed tool disengage the outer trim covers from the I/P carrier. Pull the cover rearward to disengage the locating tabs from I/P carrier.
4. Open the I/P compartment.
5. Remove the I/P trim pad screws (1)
6. Remove the I/P trim pad (2) from the I/P carrier.

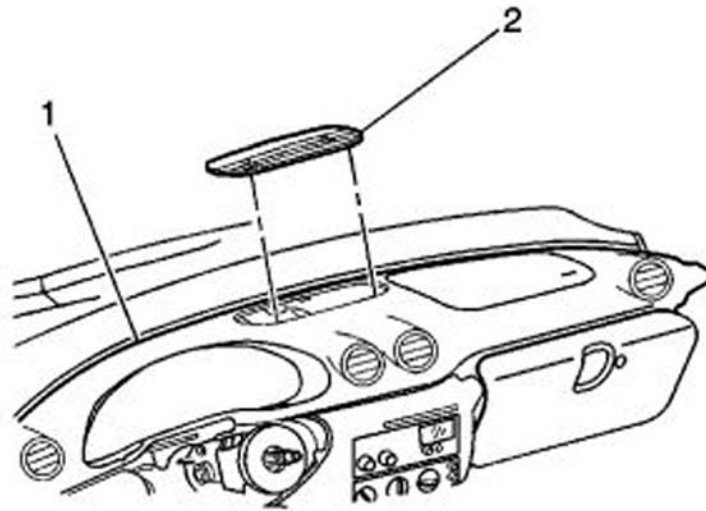


7. Remove the screws (1) from the I/P cluster trim panel. (3)
8. Remove the I/P cluster trim panel (3). Pull rearward in order to disengage the retainers (2).
9. Disconnect the electrical connectors for the headlamp dimmer switch.
10. Disconnect the electrical connectors for the cigar lighter, if equipped.

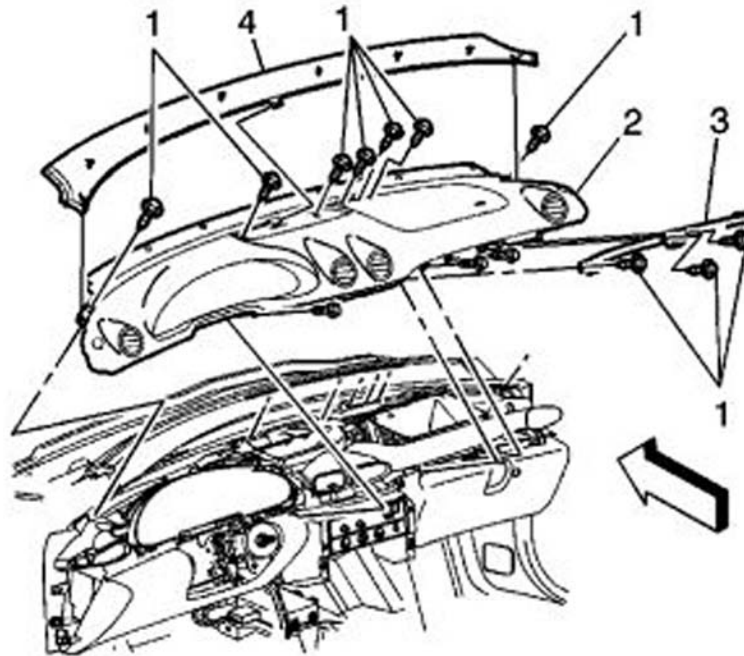


11. Remove the screws (6) from the top of the I/P cluster (5).
12. Remove the I/P cluster (5) pulling rearward.
13. Disconnect the electrical connector (1) from the I/P cluster (5)
14. Remove the I/P cluster from the I/P.

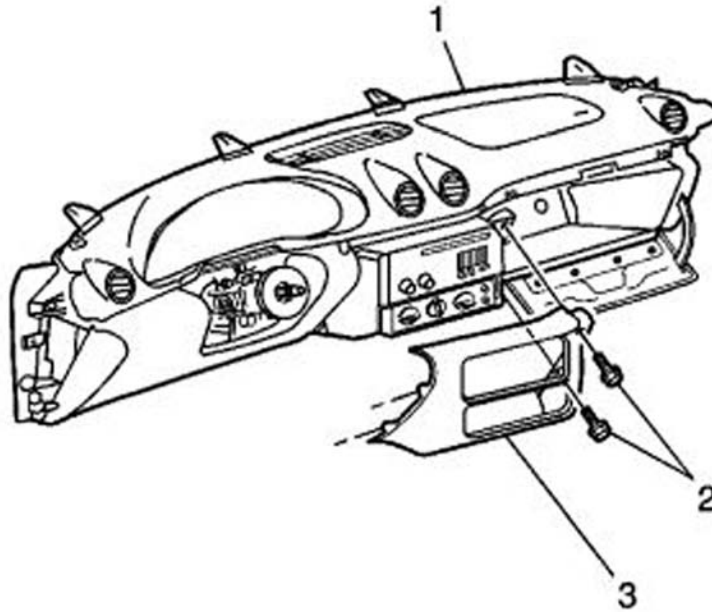
# Sunfire



1. Release the defroster grille (2) retainers using a small flat bladed tool.
2. Remove the grille (2) from the instrument panel (I/P) upper trim pad (1).



3. The air bag system does not need to be disabled if the passenger air bag is left connected during this process.
4. Remove the I/P upper trim panel (4) by lifting upward to release the retainers.
5. Remove the screws from the I/P outer trim cover
6. Remove the I/P outer trim covers.



7. Remove the I/P accessory trim plate (3). Open the I/P compartment door in order to access the screws (2).
8. Remove the screws (2) from the I/P accessory trim plate (3).
9. Pull the I/P trim plate (3) rearward to disengage the retainers.
10. Remove the I/P trim plate from the I/P carrier.



If your vehicle is not covered by this guide please contact us by email at [support@howtorepairmyinstrumentcluster.com](mailto:support@howtorepairmyinstrumentcluster.com)

## Other Resources

How To Repair 03-06 GM Instrument Clusters, a DIY guide

<http://howtorepairmyinstrumentcluster.com>

Premium “Done For You” Instrument Cluster Repair Service

<http://drspeedometer.com>

Order new instrument cluster stepper motors here

<http://drspeedometer.com/stepper-motors>

How to program GM key fobs, a free guide

<http://howtorepairmyinstrumentcluster.com/keyfob>

How to repair dim or flickering 99-02 GM odometer displays

<http://silverado-odometer-problems.com/>

How to repair 2005 Mustang Instrument Clusters, a DIY guide

<http://2005-mustang-speedometer-problem.com/>

#### Disclaimer

This guide is not to be distributed, copied, reproduced or otherwise duplicated in any form either online or offline.

Dr.Speedometer [www.drspeedometer.com](http://www.drspeedometer.com) and/or Fred Burge accept(s) no responsibility for any damage to person or property that may occur as a result of using this guide, this guide is intended for informational purposes only. Please use all caution when working with tools, electronics and electricity. By using this guide you accept and agree that any injury or damage suffered to person or property as a result of using this guide is the sole responsibility of the user and will not hold Dr.Speedometer or Fred Burge responsible or pursue any legal action whatsoever.